

General Notes:

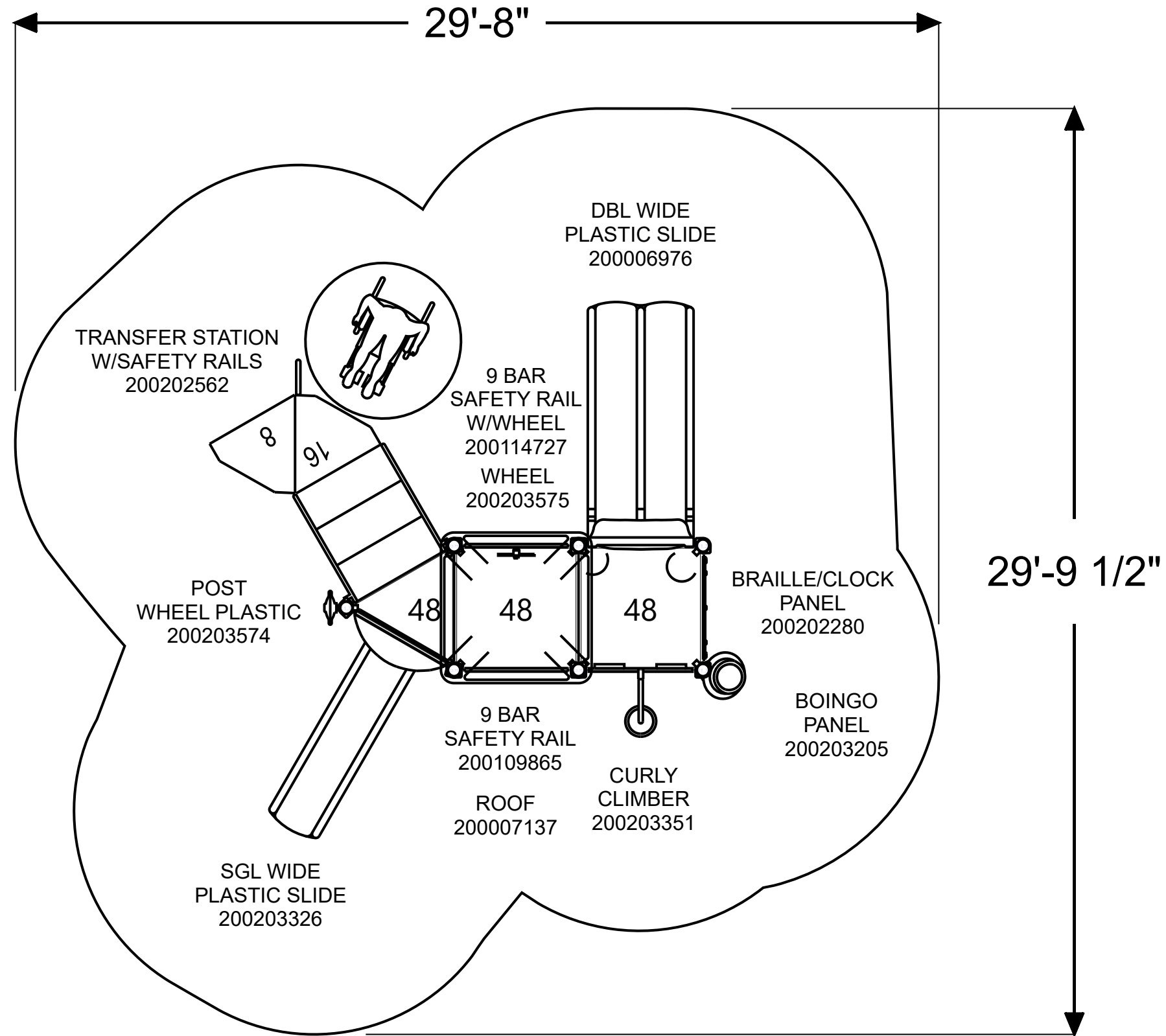
Age Group

2-5yrs 5-12 yrs 2-12yrs 13+ yrs

1. The Americans with Disabilities Act (ADA) may require that you make your park and/or playground accessible when viewed in its entirety. Please consult your legal counsel to determine if the ADA applies to you.
2. For playground equipment to be considered accessible, accessible surfacing must be utilized in applicable areas.
3. Although a particular playground design may not meet the proposed Access Board Regulations in regards to the appropriate number of ground level events, the actual playground may be in compliance when considering existing play components.
4. All deck heights are measured from top of ground cover.
5. Fall absorbing ground cover is required under and around all play equipment.
6. The minimum recommended fall zone around the entire playstructure is shown. This zone is to be free of all tripping or collision hazards (i.e. roots, rocks, border material, etc.).
7. All post lengths are identified by text showing the post lengths, i.e. 96 represents a 96 inch post.
8. Not all equipment may be appropriate for all children. Supervision is required.

AGE GROUP:	2-12
ELEVATED PLAY ACTIVITIES - TOTAL:	5
ELEVATED PLAY ACTIVITIES ACCESSIBLE BY TRANSFER:	5 REQ'D 3
ELEVATED PLAY ACTIVITIES ACCESSIBLE BY RAMP:	0 REQ'D 0
GROUND LEVEL ACTIVITY TYPE:	2 REQ'D 2
GROUND LEVEL QUANTITY:	2 REQ'D 2

WEIGHT - 2552
VOL - 326
CAPACITY - 30
PLAY EVENTS - 7
CFH 48"



Project:
KB22-73269 2022 1H PROMO
, MO
LTCPS rep:
Donna Friedman
PPLT
573-915-7740

Ground Space: 19'-0" x 20'-6"
Protective Area: 30'-0" x 30'-0"

Drawn by: Donna Friedman
Date: 10/21/2021
DWG Name: 0000_44490646304

LTCPS - Farmington
878 East Highway 60
Monett, Missouri 65708
Voice: 1-800-325-8828
Fax: 417-354-2273

Playground Layout Compliance:

- ASTM F1487 - Playground Equipment for Public Use.
- CPSC Handbook for Public Playground Safety

- This playground design meets the final Access Board Regulations.



The play components identified in this plan are IPEMA certified. The use and layout of these components conform to the requirements of ASTM F1487.

LEED points for this structure
1

