

General Notes:

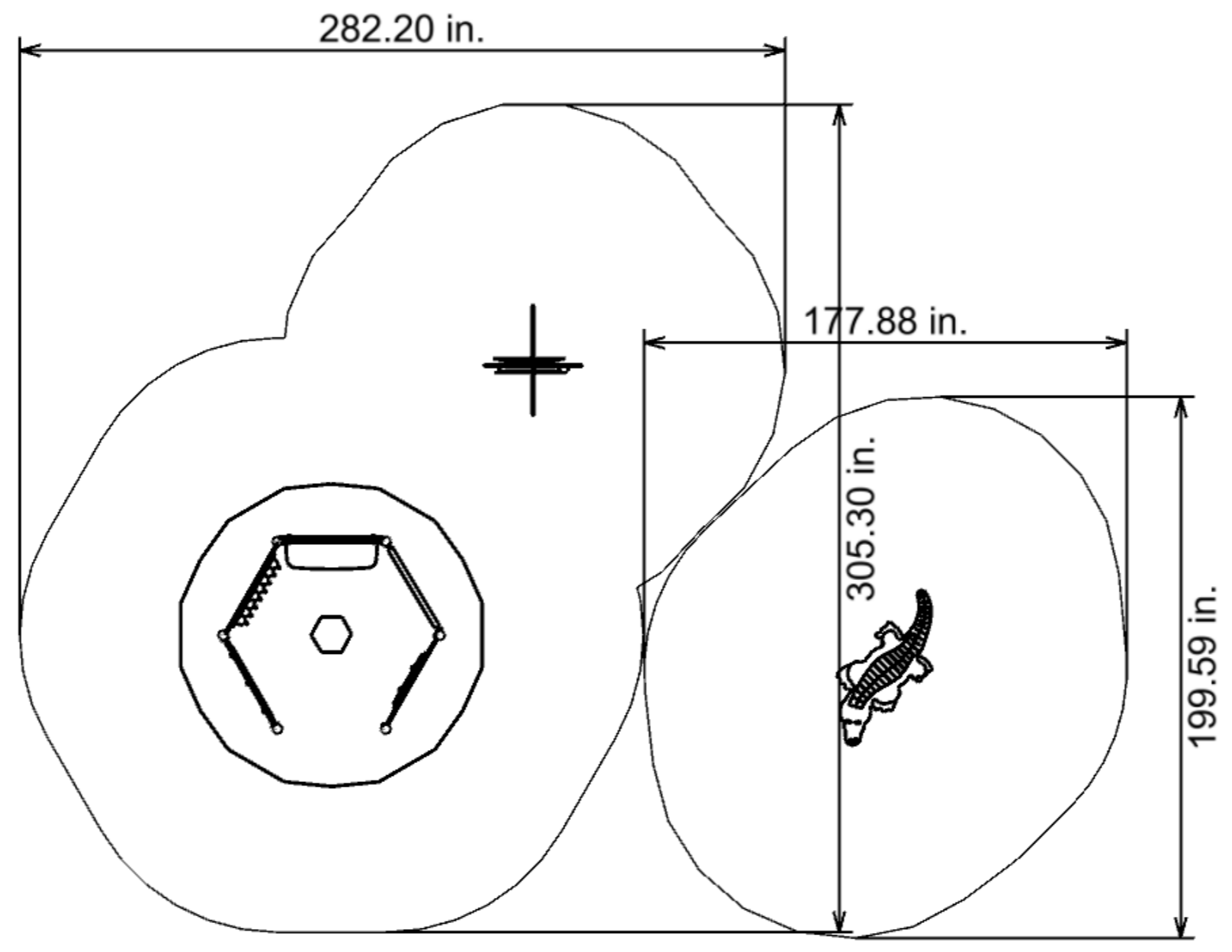
Age Group

- 2-5yrs 5-12 yrs 2-12yrs 13 yrs

1. The Americans with Disabilities Act (ADA) may require that you make your park and/or playground accessible when viewed in its entirety. Please consult your legal counsel to determine if the ADA applies to you.
2. For playground equipment to be considered accessible accessible surfacing must be utilized in applicable areas.
3. Although a particular playground design may not meet the proposed Access Board Regulations in regards to the appropriate number of ground level events the actual playground may be in compliance when considering existing play components.
4. All deck heights are measured from top of ground cover.
5. Fall absorbing ground cover is required under and around all play equipment.
6. The minimum recommended fall zone around the entire playstructure is shown. This zone is to be free of all tripping or collision hazards (i.e. roots rocks border material etc.).
7. All post lengths are identified by text showing the post lengths i.e. 96 represents a 96 inch post.
8. Not all equipment may be appropriate for all children. Supervision is required.

Child Capacity: 16

AGE GROUP: 2-5_ASTM	
ELEVATED PLAY ACTIVITIES - TOTAL:	0
ELEVATED PLAY ACTIVITIES ACESIBLE BY TRANSFER:	0 REQ'D 0
ELEVATED PLAY ACTIVITIES ACESIBLE BY RAMP:	0 REQ'D 0
GROUND LEVEL ACTIVITY TYPE:	3 REQ'D 0
GROUND LEVEL QUANTITY:	7 REQ'D 0



Project: 2026 PROMO
 Enter City And State Here
LTCPS rep:
 Brandy Todd
 CORPORATE-DUP
 Enter Phone No.

Ground Space: 23'-6" x 15'
Protective Area: 0 x 0

Drawn by: Brandy Todd
Date: 07/31/2025
DWG Name: 24008976

LTCPS - Farmington
 878 East Highway 60
 Monett Missouri 65708
 Voice: 1-800-325-8828
 Fax: 417-354-2273

Playground Layout Compliance:

- ASTM F1487 - Playground Equipment for Public Use.
- CPSC Handbook for Public Playground Safety

This playground design meets the final Access Board Regulations.



The play components identified in this plan are IPEMA certified. The use and layout of these components conform to the requirements of ASTM F1487.