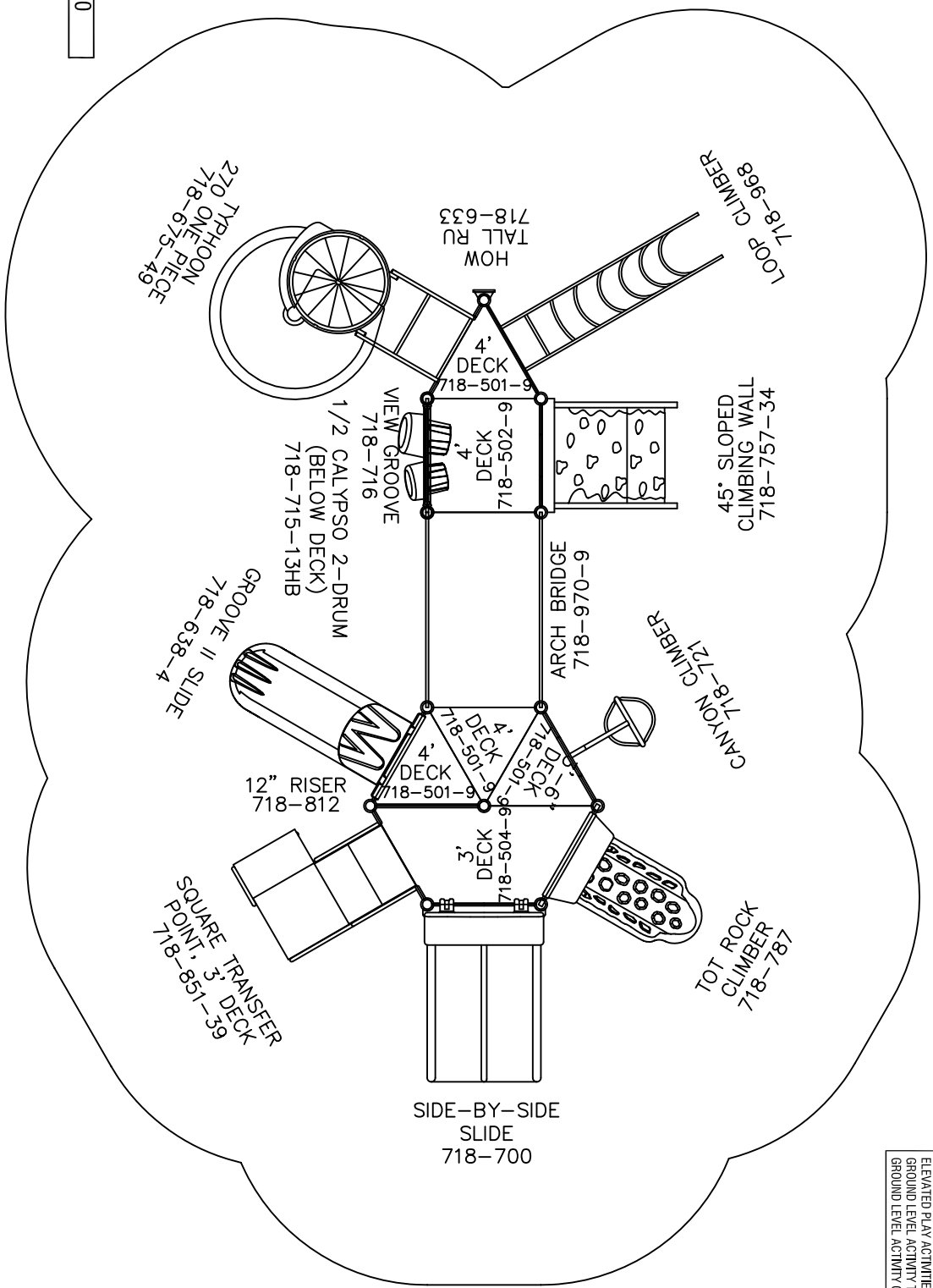


ELEVATED PLAY ACTIVITIES - TOTAL	7
ELEVATED PLAY ACTIVITIES ACCESSIBLE BY TRANSFER	7
ELEVATED PLAY ACTIVITIES ACCESSIBLE BY RAMP	0
GROUND LEVEL PLAY ACTIVITIES ACCESSIBLE BY RAMP	0
GROUND LEVEL PLAY ACTIVITIES ACCESSIBLE BY TRANSFER	2
GROUND LEVEL PLAY ACTIVITIES ACCESSIBLE BY RAMP	2



Play Area Capacity: 50-60



To promote safe and proper equipment use by children, Miracle recommends the installation of either a Miracle safety sign or other appropriate safety signage near each play system's main entry point(s) to inform parents and supervisors of the age appropriateness of the play system and general rules for safe play.

THE PLAY COMPONENTS IDENTIFIED IN THIS PLAN ARE IPEMA CERTIFIED. THE USE AND LAYOUT OF THESE COMPONENTS CONFORM TO THE REQUIREMENTS OF ASTM F1487.

AN ENERGY ABSORBING PROTECTIVE SURFACE IS REQUIRED UNDER & AROUND ALL PLAY SYSTEMS.

718-S163	COMPLIES TO CPSC	DESIGNED FOR AGES 2-12	SCALE: 1" = 5'-0"
GROUND SPACE: 27' X 16'	COMPLIES TO ASTM	ADDITIONAL GROUND LEVEL ACCESSIBLE ITEMS NEEDED FOR ADA COMPLIANCE:	DATE: 8/10/2016
PROTECTIVE AREA: 40' X 29'	COMPLIES TO ADA	TYPE: 0	QUANTITY: 0
			CINDI

